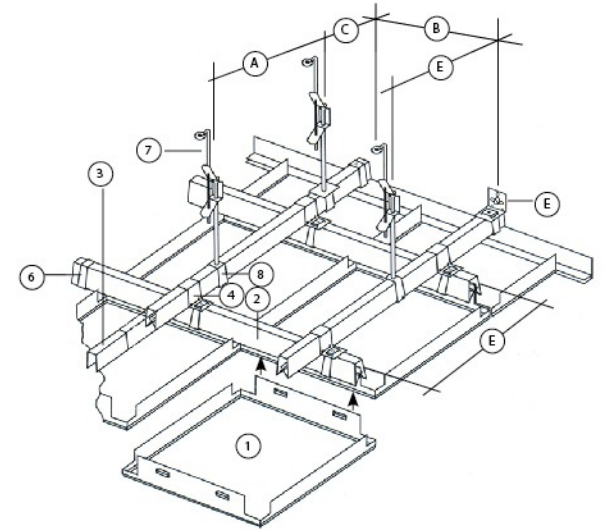
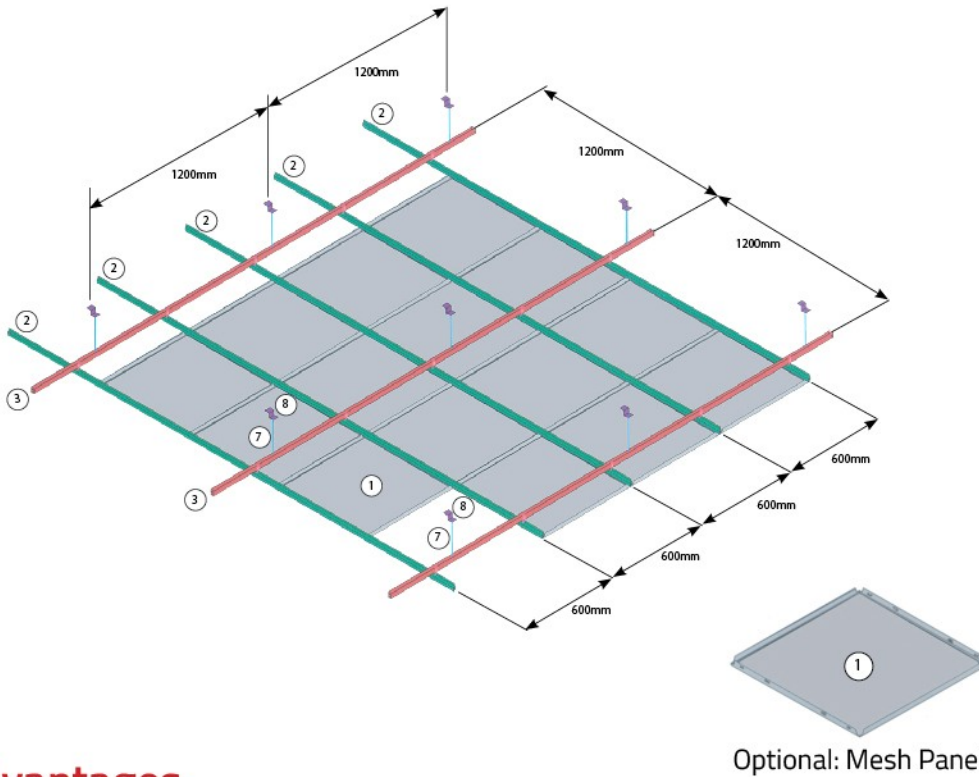


GRID SQUARE® Clip-in System

GridSquare® Clip-In Metal Ceilings are the preferred choice of clients looking for a durable yet attractive ceiling system. With a concealed double layer suspension system and a generous 300mm guide pitch, the ceiling system is easy to align and install, with convenient maintenance and accessibility. In addition, every tile can be removed easily without affecting other tiles.



Installation of Clip-in Tiles

A = 1250 mm
 B = 1200 mm
 C = 250 mm
 D = Size of tile
 E = 1250 mm

Advantages

- Easy installation, maintenance and accessibility
- Easy to align during installation
- Excellent durability
- Suitable for public space such as train stations, shopping malls etc.

Specifications (As per DSR)

GI with 60 micron Powder Coating

Standard Size*	Bevel Edge	Square Edge	Thickness
600x600mm	Yes	Yes	0.5mm
600x1200mm	Yes	Yes	0.6/0.7mm

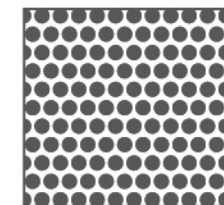
* Other dimensions available on request.

ALUMINIUM with 60 micron Powder Coating

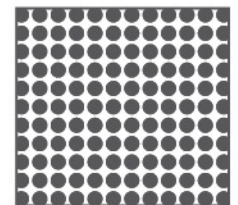
Standard Size*	Bevel Edge	Square Edge	Thickness
600x600mm	Yes	Yes	0.6/0.7mm
600x1200mm	Yes	Yes	0.6/0.7mm

* Other dimensions available on request.

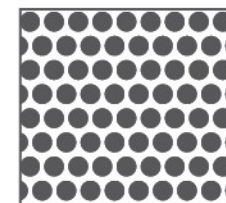
Perforation Patterns



1.8mm dia



2.2mm dia



2.5mm dia