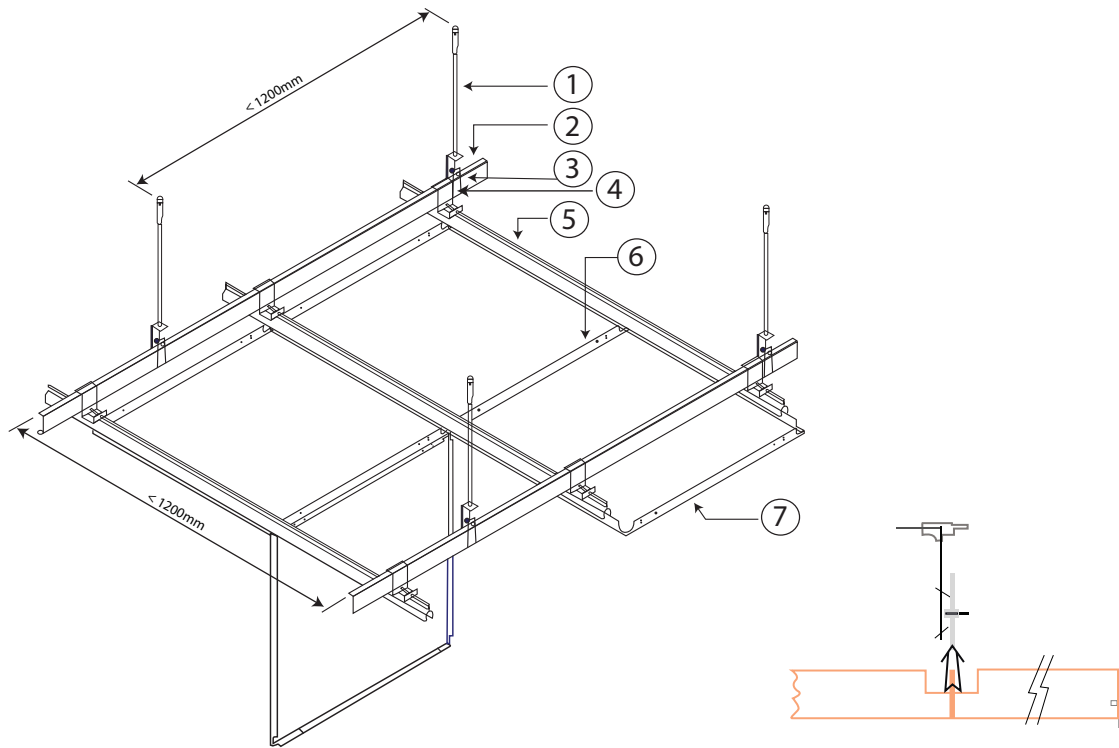


GRID SQUARE® Clip-in Swing-Down

GridSquare® Clip-In Swing-Down Metal Ceiling System is easy to maintain yet attractive with a concealed double layer suspension system, the ceiling system is easy to align and install, with convenient maintenance and accessibility. These tiles are raised from one side and then locked to safeguard engagement into the clip-in mechanism, still, it allows it to swing down of each tile. In addition, every single tile can be removed easily through swing-down system without affecting other tiles.



©AURA SYNERGY INDIA PVT. LTD.



- 1) M8 thread rod
- 2) Main channel
- 3) Hanging bracket for main channel
- 4) Hanging bracket for V - shaped carrier
- 5) V - shaped carrier
- 6) Swing down ceiling
- 7) Swing down ceiling

Convenient swing-down panels clip-attach directly to standard suspension system

Advantages

- Very easy installation, hassle free maintenance and accessibility
- Easy to Clean & washable
- Lights and grilles easily integrated.

Specifications

GI Steel with 60 micron Powder Coating / Precoated

Standard Size*	Thickness
600x600mm	0.5 / 0.6mm

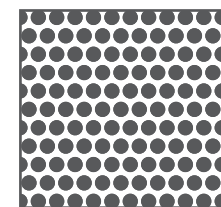
* Other dimensions available on request.

ALUMINIUM with 60 micron Powder Coating / Precoated

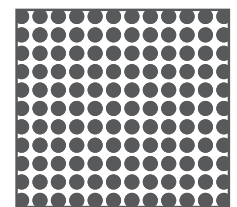
Standard Size*	Thickness
600x600mm	0.6/0.7mm

* Other dimensions available on request.

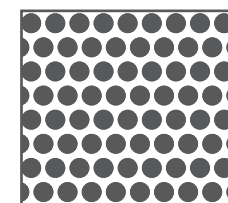
Perforation Patterns



1.8mm dia



2.2mm dia



2.5mm dia